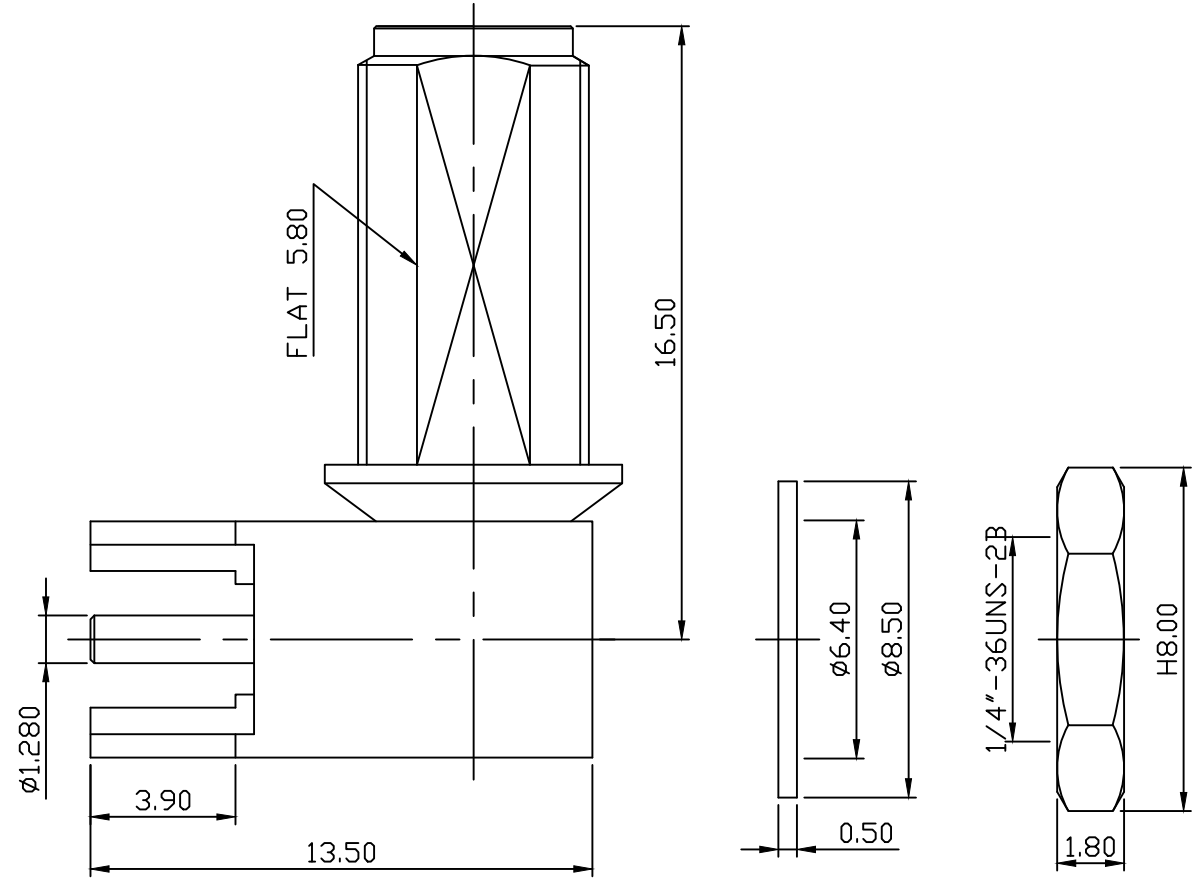
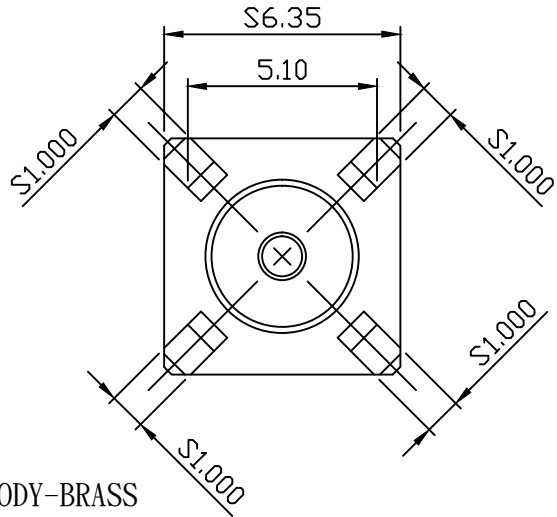


Impedance : 50 ohm
 Frequency Range : 0 to 12.4GHZ
 VSWR : Angle 1.5 max
 INSULATOR Resistance : 5000 megohms min



MATERIAL : BODY-BRASS
 BODY-BRASS
 CONTACT PIN-BERYLLIUM COPPER
 CONTACT PIN-BRASS
 INSULATOR-TEFLON
 INSULATOR-TEFLON
 CAP-BRASS
 WASHER-BRASS
 NUT-BRASS
 FINISH : BODY-GOLD PLATING OVER NICKEL
 CONTACT PIN-GOLD PLATING OVER NICKEL
 CAP-GOLD PLATING OVER NICKEL
 WASHER-GOLD PLATING OVER NICKEL
 NUT-GOLD PLATING OVER NICKEL

DIMENSIONS ARE IN MILLIMETERS				C&C ELECTRONICS CONNECTORS INC	
TOLERANCE				TITLE SMA R/A PCB MOUNT-BULKHEAD. JACK	
· × ±0.5	ANGLE ±3°	SCALE 5:1	DRAWING NO 806-5223		
· × × ±0.1		REV A-3	FILE NO 806-0305		
· × × × ±0.05		DRAWN 郭姿良	DATE 92.06.12		
APPROVAL		DATE			