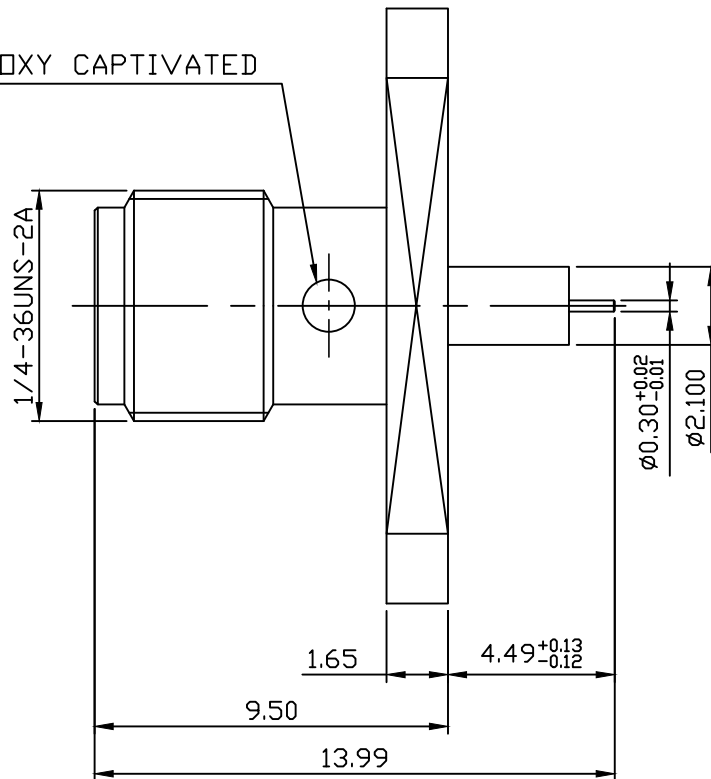
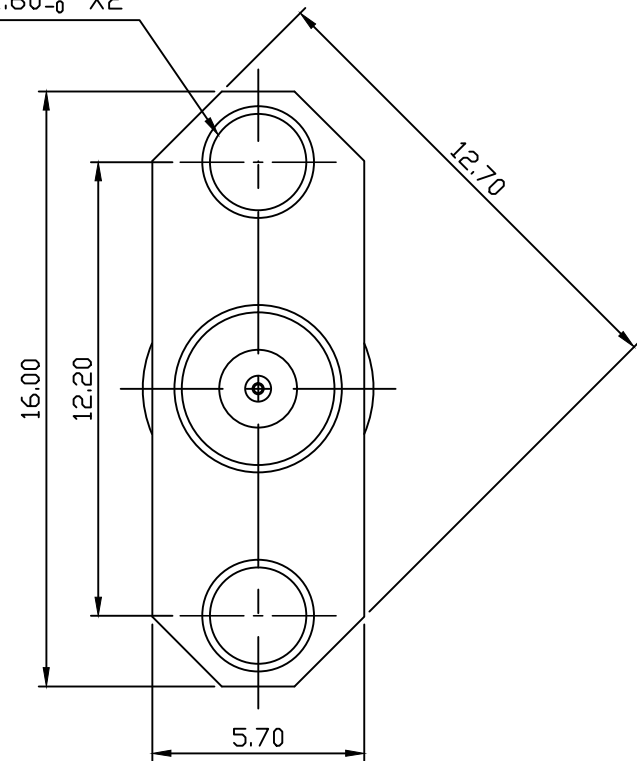


EPOXY CAPTIVATED



Ø2.60^{+0.07}₀X2



MATERIAL : BODY-SUS 303
 CONTACT PIN-BERYLLIUM COPPER
 INSULATOR-TEFLON
 CAP-PE
 FINISH : BODY-PASSIVATED
 CONTACT PIN-GOLD PLATING OVER NICKEL

DIMENSIONS ARE IN MILLIMETERS TOLERANCE				C&C ELECTRONICS CONNECTORS INC	
· × ±0.5	ANGLE ±3°	SCALE 5:1	TITLE SMA 2 HOLE FLANGE JACK TECEPTACLE (FOR MICROSTRIP LINE CIRCUITS)		
· × × ±0.1		REV B-0	DRAWING NO 806-321501		
· × × × ±0.05		DRAWN 潘曉臨	DATE 98.07.14	FILE NO 806-0171	
APPROVAL		DATE			