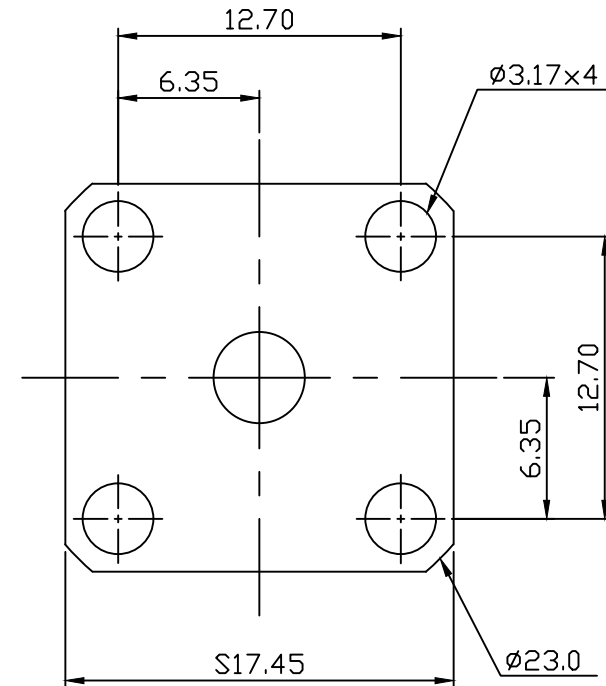
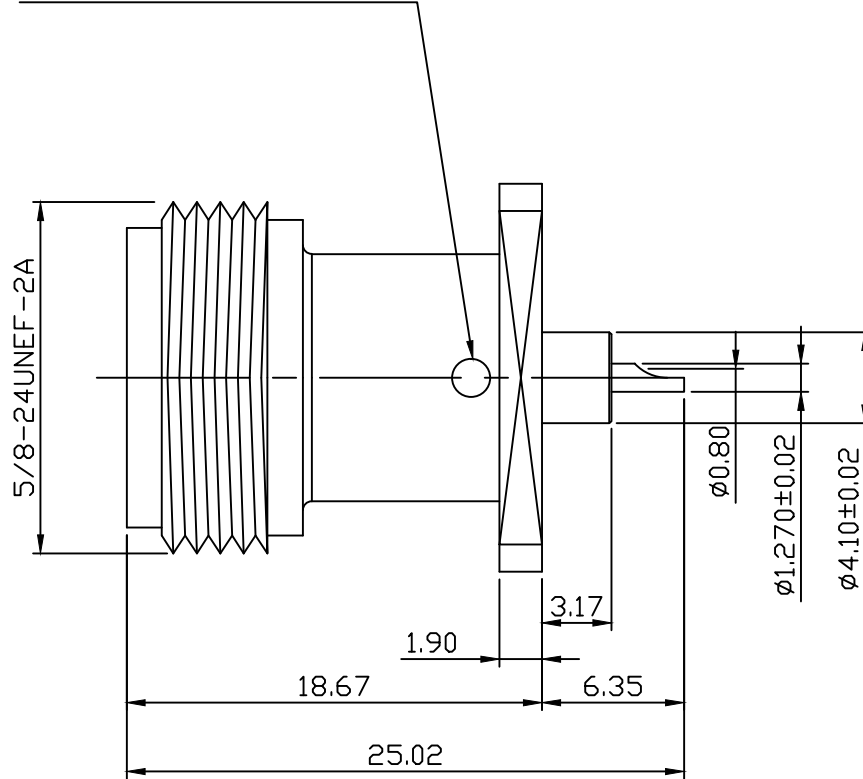


EPOXY CAPTIVATEDx2



TEMPERATURE RANGE:
-55 to +85°C

MATERIAL : BODY-BRASS
CONTACT-Be Cu
INSULATOR-TEFLON
FINISH : BODY-SILVER PLATING OVER NICKEL
CONTACT-GOLD PLATING OVER NICKEL

DIMENSIONS ARE IN MILLIMETERS TOLERANCE			C&C ELECTRONICS CONNECTORS INC	
· ×	±0.5	ANGLE ±3°	SCALE	3:1
· × ×	±0.1		REV	A-0
· × × ×	±0.05			
DRAWN	潘曉臨	DATE	96.05.04	TITLE N SQUARE FLANGE JACK RECEPTACLE (EXPOSED PTFE)
APPROVAL		DATE		DRAWING NO 816-3213
				FILE NO 816-0365