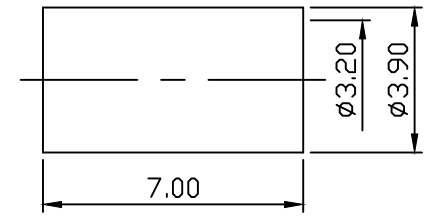
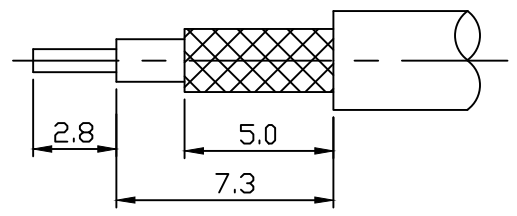
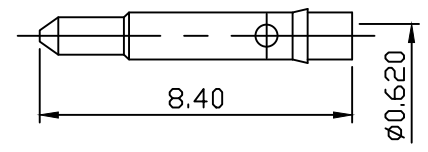
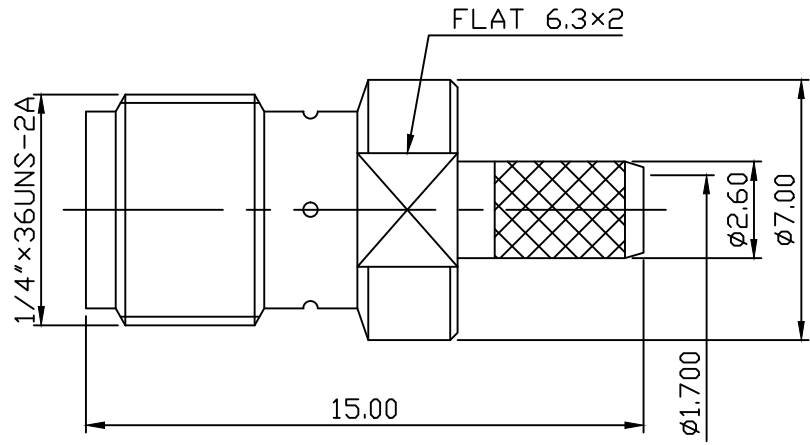


1. INTERFACE PER MIL-STD-348
2. COUPLING NUT RETENTION: 15 INCH*LBS
3. COUPLING NUT RETENTION: 60 LBS AXIAL
4. CONTACT RETENTION: 6 LBS AXIAL
5. INSULATOR RETENTION: 6 LBS AXIAL
6. DUREBILITY: TEST AFLER 100 CYCLES



MATERIAL : BODY-BRASS
 INSULATOR-TEFLON
 CONTACT-BRASS
 FURRULE-BRASS

FINISH : BODY-NICKEL PLATING
 FURRULE-NICKEL PLATING
 CONTACT-GOLD PLATING OVER NICKEL

DIMENSIONS ARE IN MILLIMETERS TOLERANCE				C&C ELECTRONICS CONNECTORS INC	
· × ±0.5	ANGLE ±3°	SCALE 5:1	TITLE REVERSE POLARITY SMA FEMALE RG ₃₁₆ ¹⁷⁴ u CONNECTOR		
· × × ±0.1		REV A-2			
· × × × ±0.05		DRAWN 潘曉臨	DATE 100.04.13	DRAWING NO 856-1211	
APPROVAL		DATE	FILE NO 856-0012		