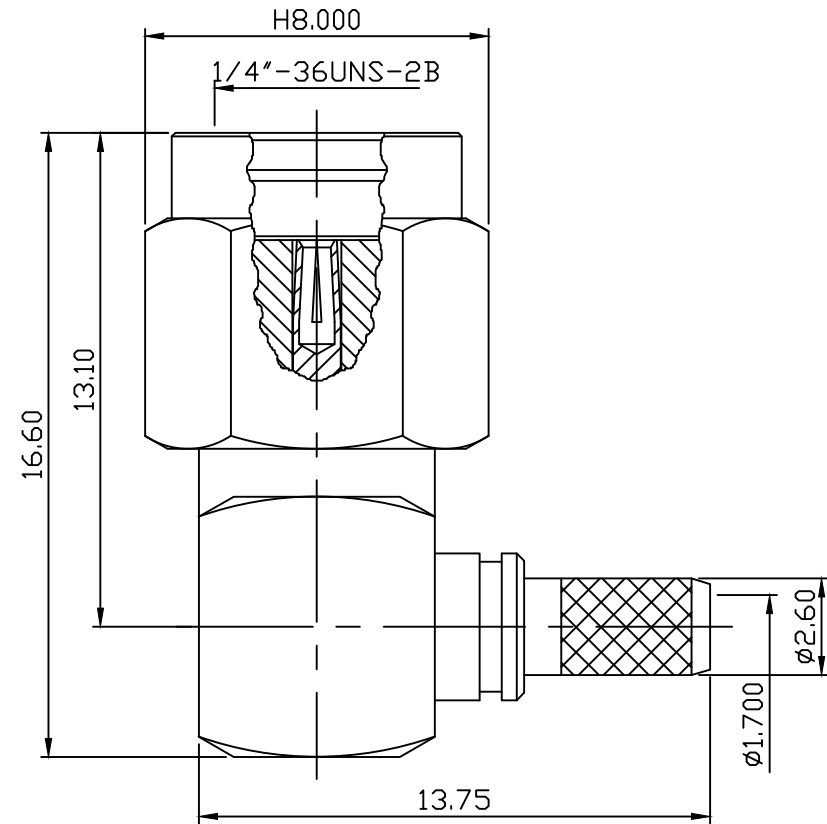
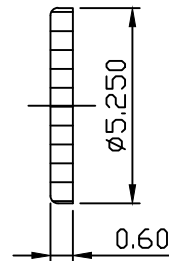
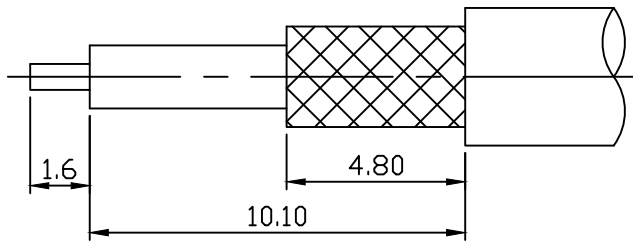
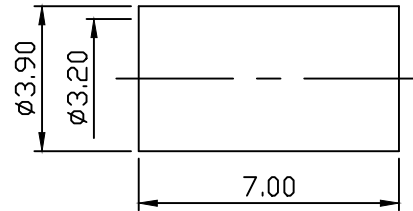


1. INTERFACE PER MIL-STD-348
2. COUPLING NUT RETENTION: 15 INCH*LBS
3. COUPLING NUT RETENTION: 60 LBS AXIAL
4. CONTACT RETENTION: 6 LBS AXIAL
5. INSULATOR RETENTION: 6 LBS AXIAL
6. DUREBILITY: TEST AFLER 100 CYCLES



MATERIAL : BODY-BRASS
 SLEEVE-BRASS
 CONTACT-BERYLLIUM COPPER
 INSULATOR-TEFLON
 SHELL-BRASS
 C WASHER-SUS 304
 SI RUBBER-SILICONE
 CAP-BRASS
 FERRULE-BRASS

FINISH : BODY-NICKEL PLATING
 SLEEVE-NICKEL PLATING
 SHELL-NICKEL PLATING
 CAP-NICKEL PLATING
 FERRULE-NICKEL PLATING
 CONTACT-GOLD PLATING OVER NICKEL

DIMENSIONS ARE IN MILLIMETERS				C&C ELECTRONICS CONNECTORS INC	
TOLERANCE				TITLE REVERSE POLARITY SMA MALE RG ₃₁₆ ¹⁷⁴ u CONNECTOR	
· × ±0.5	ANGLE ±3°	SCALE 5:1	DRAWING NO 856-1102		
· × × ±0.1		REV A-1			
· × × × ±0.05		DRAWN 潘曉臨	DATE 100.04.13	FILE NO 856-0002	
APPROVAL	DATE				