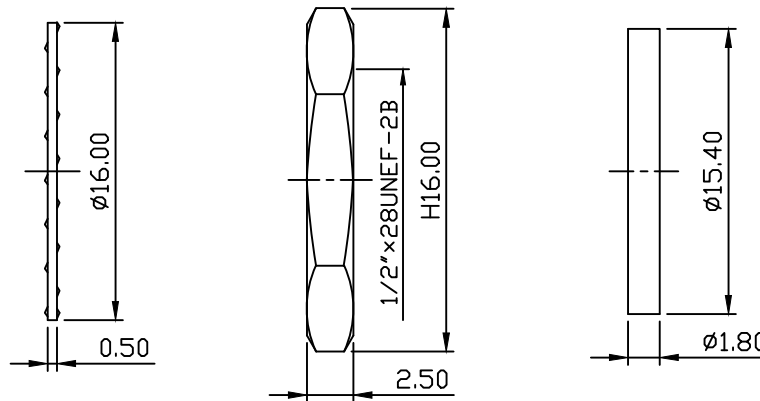


MOUNT HOLE



Impedance: 50 ohm
 Frequency Range: 0 to 6.0 GHz
 VSWR: 1:1.2 MAX
 Insertion Loss: 0.4 dB MAX
 Dielectric withstanding Voltage: 500 V Rms min at sea level

MATERIAL : BODY-BRASS
 CONTACT-BE CU
 INSULATOR-TEFLON
 SLEEVE-BRASS
 LOCK WASHER-BRASS
 NUT-BRASS
 O-RING-SI RUBBER
 FINISH : BODY-NICKEL PLATING
 SLEEVE-NICKEL PLATING
 CONTACT-GOLD PLATING OVER NICKEL
 LOCK WASHER-NICKEL PLATING
 NUT-NICKEL PLATING

DIMENSIONS ARE IN MILLIMETERS				C&C ELECTRONICS CONNECTORS INC	
TOLERANCE				TITLE TNC FEMALE BULKHEAD TO MMCX HERMETICALLY SEALED	
· ×	±0.5	ANGLE ±3°	SCALE	3:1	
· × ×	±0.1		REV	A-1	
· × × ×	±0.05				
DRAWN 潘曉臨		DATE 97.05.20		DRAWING NO 848-674	
APPROVAL		DATE		FILE NO 848-0214	