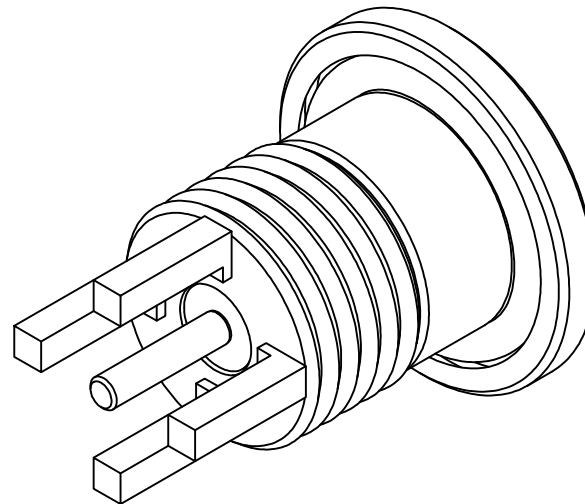


PC MOUNTING HOLD



MATERIAL : BODY-BRASS
 CONTACT-BEUCU
 INSULATOR-TEFLON
 NUT-BRASS
 LOCK WASHER-BRASS
 O-RING-SILICONE
 WASHER-BRASS

FINISH : BODY-GOLD PLATING OVER NICKEL
 CONTACT-GOLD PLATING OVER NICKEL
 NUT-GOLD PLATING OVER NICKEL
 LOCK WASHER-GOLD PLATING OVER NICKEL
 WASHER-GOLD PLATING OVER NICKEL

DIMENSIONS ARE IN MILLIMETERS TOLERANCE			C&C ELECTRONICS CONNECTORS INC	
· × ±0.5	ANGLE ±3°	SCALE 5:1	TITLE MCX JACK BULKHEAD PC MOUNT	
· × × ±0.1		REV A-1	DRAWING NO 802-4207	
· × × × ±0.05			FILE NO 802-0100	
DRAWN 涂君昂		DATE 101.06.26		
APPROVAL		DATE		